

PRODUCT INFORMATION PACKET

Model No: 5KC39RN45X

Catalog No: C335

1 HP General Purpose Pump Motor, 1 phase, 3600 RPM, 115/208-230 V, 56J Frame, ODP
General Purpose Pump Single Phase Motors



Regal and Marathon are trademarks of Regal Beloit Corporation or one of its affiliated companies.
©2020 Regal Beloit Corporation, All Rights Reserved. MC017097E

REGAL



Nameplate Specifications

Output HP	1 Hp	Output KW	0.75 kW
Frequency	60 Hz	Voltage	115/208-230 V
Current	13.2,6.5-6.6 A	Speed	3450 rpm
Service Factor	1.4	Phase	1
Efficiency	68.1 %	Power Factor	0
Duty	Continuous	Insulation Class	B
KVA Code	J	Frame	56J
Enclosure	Drip Proof	Thermal Protection	AUTO
Ambient Temperature	40 °C	Drive End Bearing Size	6203
Opp Drive End Bearing Size	6203	UL	Recognized
CSA	Yes	CE	N

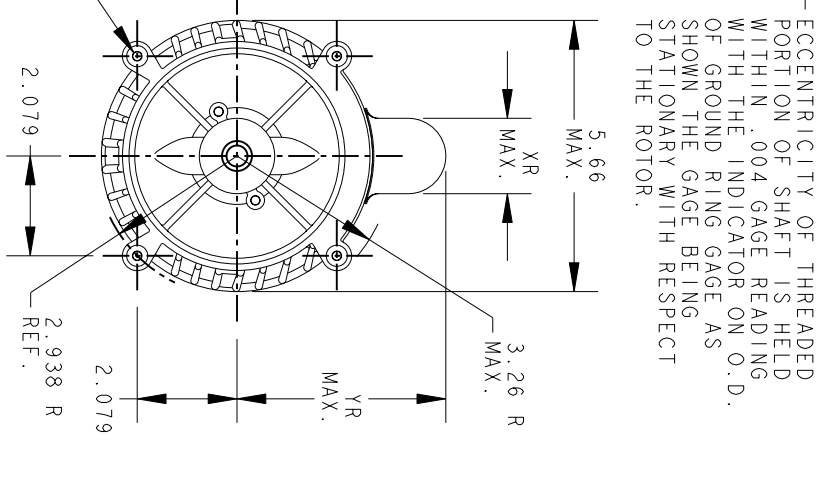
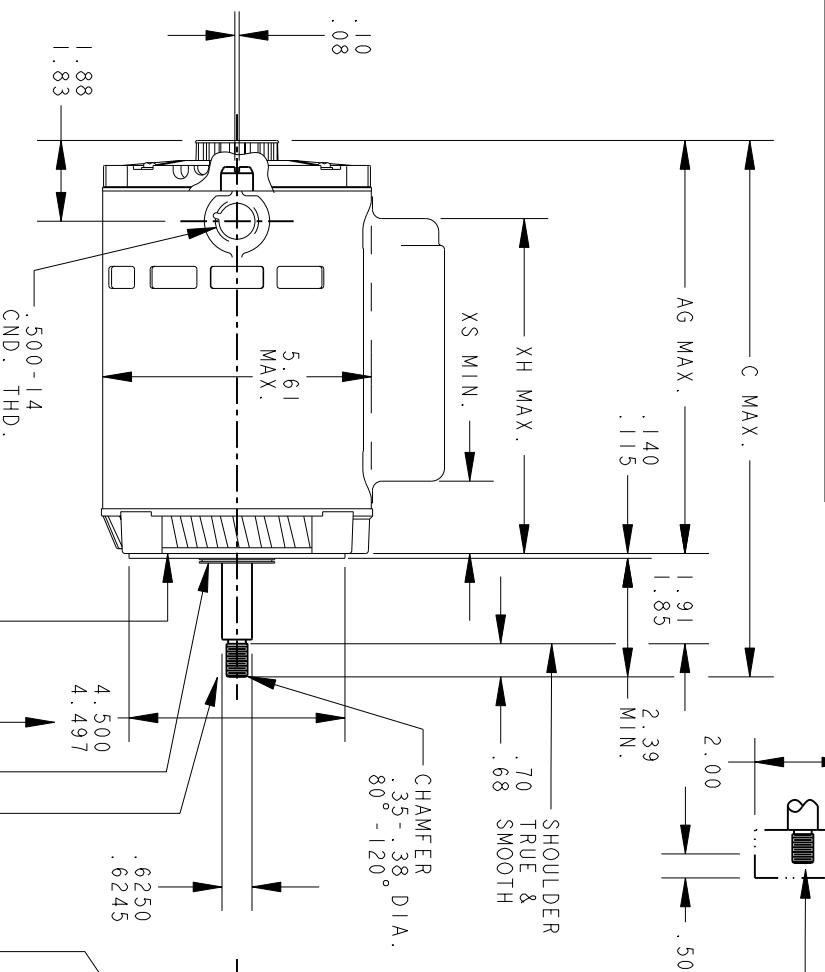
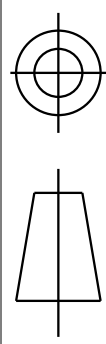
Technical Specifications

Electrical Type	Capacitor Start Induction Run	Starting Method	SM
Poles	2	Rotation	Clockwise
Mounting	Round	Motor Orientation	ANY
Drive End Bearing	LOCKED	Opp Drive End Bearing	Ball
Frame Material	Rolled Steel	Overall Length	13.14 in
Frame Length	8.5 in	Shaft Diameter	0.630 in
Shaft Extension	2.39 in		
Outline Drawing	52A107128P1	Connection Drawing	52A105384AA

This is an uncontrolled document once printed or downloaded and is subject to change without notice. Date Created:03/11/2020

REVISIONS		DATE	APPROVED
REV.	DESCRIPTION		
1	REDRAWN BY 2M SOFTWARE CO.	03/01/95	CCP
2	UPDATED AS PER ISO5-2192	09/15/05	PRAVEEN.K

REV.	DESCRIPTION	DATE	APPROVED
1	REDRAWN BY 2M SOFTWARE CO.	03/01/95	CCP
2	UPDATED AS PER ISO5-2192	09/15/05	PRAVEEN.K

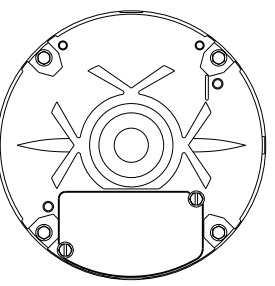


FACE RUNOUT (WITH INDICATOR MOUNTED STATIONARY RELATIVE TO SHAFT) MUST NOT EXCEED .004 T.I.R.

ECCENTRICITY OF THIS SURFACE (WITH INDICATOR MOUNTED STATIONARY RELATIVE TO SHAFT) MUST NOT EXCEED .004 T.I.R.

WATER SLINGER (WHEN SPECIFIED) .4375-20 UNF-2A (SEE VIEW ABOVE)

P	TYPE	GE SIZE	NEMA FR	AG	XS	XH	XR	YR	SHELL REF.	
1	KC	39	56J	13.14	10.49	2.66	8.32	1.60	4.34	8.50



VIEW SHOWING O.P.E. END SHIELD

FOR ADDITIONAL INFO REFER TO:		SIGNATURES	DATE
APPLIED PRACTICES	MODEL		
DIMENSIONS ARE IN INCHES	DETAIL	B. JOHNSON	04/08/91

REGAL-BELOIT CORPORATION

OUTLINE

FORM "N" - PUMP MOTOR - DRIP PROOF

R2 END MOUNTED - SLEEVE & BALL BEARING

TOLERANCE ON:		CHECKED
1 PL DECIMALS ± 0.1		
2 PL DECIMALS ± 0.02		
3 PL DECIMALS ± 0.005		
ANGLES ± 1.0		
FRACTIONS ±		
FINISH	QUALITY	
ISSUED	C.C.P.	03/01/95
MATERIAL		SOLID MODEL: 52A107128

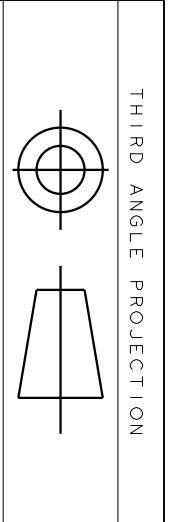
SCALE: 1.000 REF. No.:

SIZE DRAWING: A

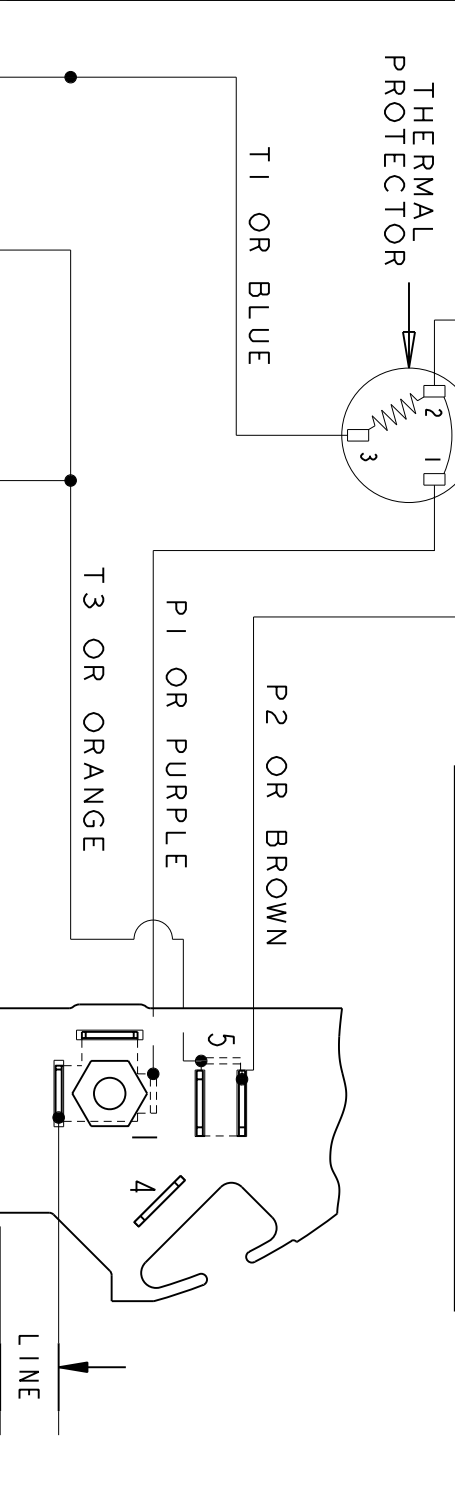
52A107128

REV 2

SHEET 1 of 1



REV.	DESCRIPTION	DATE	APPROVED
4	CORDSET INSTRUCTION ADDED	04/02/09	AMITRUP



SET ROTATION - DUAL VOLTAGE
TYPE KC, KCR, OR KH WITH
THERMAL PROTECTOR

LOW VOLTAGE SHOWN
FOR HI VOLTAGE
SEE NOTE #1

NOTE #1 - FOR HI VOLTAGE REMOVE BROWN (P2) FROM TERMINAL #5 AND PLACE ON TERMINAL #4, REMOVE WHITE (T2) FROM TERMINAL #2 AND PLACE ON TERMINAL #5.

NOTE #2 - WHEN MORE THAN ONE CAPACITOR IS USED CONNECT IN PARALLEL.

SWITCH (C) - 115D9558AB

CONNECTION LABEL - 52X333080

REF. DIAG. - 121A857

SIGNATURES	DATE
MODEL M.D.P.	06/29/87
DETAIL	
CHECKED	
ENGRG	
MFG	
QUALITY	
ISSUED	M.D.P. 06/29/87
APPLIED PRACTICES	
DIMENSIONS ARE IN INCHES	
MATERIAL	SOLID MODEL: 52A105384AA



REGAL-BELOTT CORPORATION

TITLE CONNECTION DIAGRAM

FME: 30 FRAME SWITCH REDESIGN

52A105384AA

SIZE	DRAWING	SCALE	REF. No.	SHEET	REV
A		1.000		1 of 1	4